

COVID-19 Infection Prevention Control Strategies for

Massachusetts Masonic Facilities

DRAFT 4/6/2020

Introduction

With phrases such as “social distancing,” “self-quarantine,” and “flattening the curve” still showing up in the media, flattening the curve” still showing up in the media, blood donations have plummeted as schools, offices and other sites that typically host blood drives shut down to prevent the spread of coronavirus. As Masonic lodges across the commonwealth rise to meet the growing demand for locations, all masons must understand and be able to effectively communicate to others the importance of precautionary measures against the potential spread of COVID-19 while hosting blood drives in our buildings.

Background

The COVID-19 virus has actually been named "SARS-CoV-2," and the disease it causes has been named "coronavirus disease 2019" (abbreviated "COVID-19"). The virus looks like it's wearing a spiky crown, so it gets the name "corona" from the Latin word for crown.

The virus enters cells using the "spike" on its surface to enter and bond with a human cell. Once inside human cells, the virus reproduces. Those reproductions break out of cells and infect other human cells. At a certain point, there are so many virus particles being produced that our normal cells can't work properly and we get sick.

Viruses are believed to be transmitted from person-to-person primarily through virus-laden droplets that are generated when infected persons speak, cough, or sneeze. These droplets can be deposited onto the mucosal surfaces of susceptible persons or hard surfaces that are within 6 feet of the droplet source¹. Six feet is the suggested average distance that respiratory droplets from a sneeze or cough travel before they settle and are no longer likely to be inhaled by other people.

The following combination of infection prevention control strategies is recommended to decrease the transmission of viruses in Masonic facilities being used for Red Cross blood drives. These recommendations focus on cleaning and disinfection of “touch surfaces”.

First, it is essentially necessary that we clearly understand each process. “Cleaning” a surface does not necessarily “kill germs”, but by cleaning we are removing them, which lowers their numbers and in turn the risk of spreading infection.

“Disinfecting” does not necessarily “clean” dirty surfaces. Chemical disinfectants only work if surfaces have been thoroughly cleaned first to remove grease and other dirt. By killing germs on a surface after

cleaning, it can further lower the risk of spreading infection by ensuring that the surface is free of pathogenic microbes.ⁱⁱ

I encourage our members to use a professional cleaning service (if possible) using cleaning and sanitizing agents from the attached government list. However, for those that choose to clean/disinfect surfaces themselves, I suggest a 5 step cleaning system for the cleaning and disinfection of our facilities. This system uses a combination of standard cleaning/sanitizing practices across multiple public health disciplines such as healthcare settings, food establishments, and the cleanup of hazardous materials.

Control Strategies

Pre (and post) clean and disinfect the building using a 5 step process

1. Scrub the hand touch surfaces (e.g. door handles, door faces, faucet and toilet handles, sinks, paper towel holders, handrails and the back of chairs, don't forget the door knockers!) with fresh hot water and detergent using a clean washcloth such as Microfiber Cloths or disposable towels. **DO NOT** use a sponge! A sponge is porous, will hold onto microbes and potentially spread them around.
 - a. Wear disposable gloves when cleaning and disinfecting surfaces. Gloves should be discarded after each cleaning.
 - b. Detergents must be stable, noncorrosive, and safe to use.
 - c. be sure to follow manufacturers' instructions.
 - d. **Replace the towel after each hand contact surface.** Otherwise you're just spreading dirt around.
2. Wring out the dirty water in a separate collection container.
3. Rinse the washcloth with fresh water from a third container and
 - a. Wring the wastewater into the collection container.
4. Wipe off the detergent residue from the surface with a clean wet washcloth.
 - a. Wiping with fresh water is essential to remove detergents after the wash step to avoid diluting or inactivating the sanitizer.
5. Disinfection (microorganism killing stage) the surface with a CDC or EPA approved agent **following the manufactures directions.**
 - a. Proper concentration on the detergent and disinfecting agent is critical.
 - b. Improper concentration will not provide effective disinfection, and
 - c. High concentrations may leave a toxic residue on the surface.

d. **NEVER** combine cleaning agents! Cleaning products are safe when used correctly. However, they can have dangerous or even deadly outcomes when combined with other products or used in a manner inconsistent with the product label.

Repeat every few hours

Remember to clean every touch surface in your building again when your drive is over!

Each masonic leader must decide himself what company, chemical agents, and methods to use in his building. I have provided a list of EPA approved disinfecting agents in the appendix.

Minimize “Hand contact” surfaces

- Prop doors open when possible so nobody needs to touch the handles
- Re-clean/disinfect hand contact surfaces every few hours

Put up clear “Hand Washing Required” signage in restrooms, and other high-traffic areas.

Post Signage at eye level on the inside of stall doors, urinals, and sinks. Signs can even include tips on how to wash our hands properlyⁱⁱⁱ:

- Draw some paper towels from the dispenser before turning on the sink,
- Use lukewarm water and soap, scrub for 20-30 seconds (long enough to sing “happy birthday” twice), Lather on all sides, under fingernails, and between fingers and,
- Shake your hands in the sink before drying with your paper towel.

A CDC handwashing sign/fact sheet is included in the appendix^{iv}.

Use Proper Personal Protective Equipment (PPE)

Under current guidelines, we should all wear **face masks** in public. The Red Cross will have their own and additional (if any required) for donors. However, we must also protect ourselves during blood drives.

Face masks come in a variety of ratings that relate to how the respirator performs (how much it filters) and its use in individual environment types. The most common types of face masks in social use are N95 & P95.^v

N95 Masks: (N = Not oil resistant/ 95 = Removes 95% of all particles that are at least 0.3 microns in diameter) The most commonly used for Flu or Influenza prevention, these masks are effective according to the CDC in helping to prevent the spread of flu, swine flu, and avian flu transmission from person to person. N95 masks are designed to fit over the nose and mouth of the wearer.

P95 Masks: (P = Oil Proof / 95 = Removes 95% of all particles that are at least 0.3 microns in diameter) The most commonly used for working in environments exposed to oil-based particles, P95 respirators are approved by NIOSH2 for 95% filtration efficiency against oil-based and non-oil based particulates. They are widely used in the petrochemical and pharmaceutical sectors.

Unfortunately, these types are scarce and the CDC has offered guidance for handmade masks. I've included the document in the appendix^{vi}.

Wear Gloves- The types of gloves recommended by the CDC for non-medical use are^{vii}:

- Natural rubber latex and nitrile or chloroprene blends
- Neoprene
- Nitrile
- Butyl rubber

Supply fresh air (if Possible)

Forced air-heating systems and air-conditioning systems do not always bring outdoor air into the building mechanically, and infiltration and natural ventilation are relied upon to bring outdoor air into the building. Each building is different and often a function hall has no direct means of ventilation.

However, the introduction of outdoor air is one important factor in promoting good air quality. Air may enter a home in a few different ways, including:

- Through **natural ventilation**, such as through windows and doors that have been propped open,
- Through **mechanical means**, such as through outdoor air intakes associated with the heating, ventilation and air conditioning (HVAC) system
- Through **infiltration**, a process by which outdoor air flows into the house through openings, joints and cracks in walls, floors and ceilings, and around windows and doors.

Lodges may have no choice but to open as many doors as possible in a building to introduce some kind of air exchange during a blood drive.

By Pre (and post) cleaning and disinfecting our buildings, Minimizing "Hand contact" surfaces, posting hand washing signage, the use of personal protective equipment, and supplying fresh air, Blood drives can be hosted in Masonic buildings successfully.

Respectfully Submitted,

Wor. Michael J Weydt
Environmental Scientist
Worshipful Master
Saint George Lodge
Brockton, MA

ⁱ <https://www.cdc.gov/flu/professionals/infectioncontrol/maskguidance.htm>

ⁱⁱ <https://www.cdc.gov/infectioncontrol/guidelines/environmental/index.html>

ⁱⁱⁱ <https://www.cdc.gov/handwashing/fact-sheets.html>

^{iv} <https://www.cdc.gov/handwashing/pdf/wash-your-hands-fact-sheet-508.pdf>

^v https://www.cdc.gov/niosh/npptl/topics/respirators/disp_part/default.html

^{vi} <https://www.cdc.gov/coronavirus/2019-ncov/downloads/DIY-cloth-face-covering-instructions.pdf>

^{vii} <https://www.cdc.gov/oralhealth/infectioncontrol/faqs/personal-protective-equipment.html>

Use of Cloth Face Coverings to Help Slow the Spread of COVID-19

How to Wear Face Cover

Face coverings should—

- fit snugly but comfortably against the side of the face
- be secured with ties or ear loops
- include multiple layers of fabric
- allow for breathing without restriction
- be able to be laundered and machine dried without damage or change to shape

CDC on Homemade Face Covers

CDC recommends wearing cloth face coverings in public settings where other social distancing measures are difficult to maintain (e.g., grocery stores and pharmacies), **especially** in areas of significant community-based transmission.

CDC also advises the use of simple cloth face coverings to slow the spread of the virus and help people who may have the virus and do not know it from transmitting it to others. Cloth face coverings fashioned from household items or made at home from common materials at low cost can be used as an additional, voluntary public health measure.

Cloth face coverings should not be placed on young children under age 2, anyone who has trouble breathing, or is unconscious, incapacitated or otherwise unable to remove the mask without assistance.

The cloth face coverings recommended are not surgical masks or N-95 respirators. Those are critical supplies that must continue to be reserved for healthcare workers and other medical first responders, as recommended by current CDC guidance.

Should cloth face coverings be washed or otherwise cleaned regularly? How regularly?

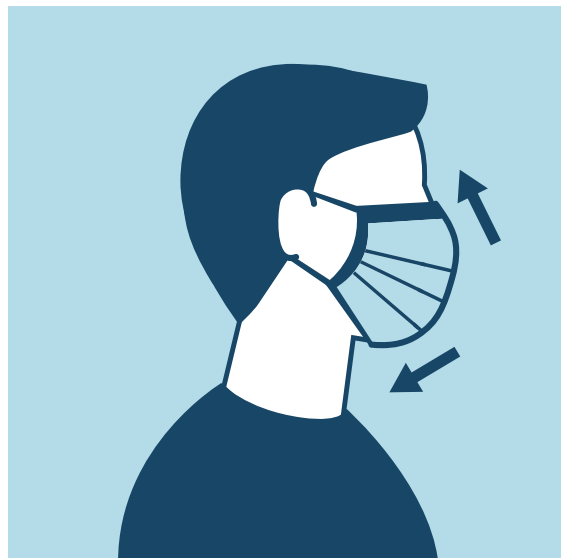
Yes. They should be routinely washed depending on the frequency of use.

How does one safely sterilize/clean a cloth face cover?

A washing machine should suffice in properly washing a face covering.

How does one safely remove a used face cover?

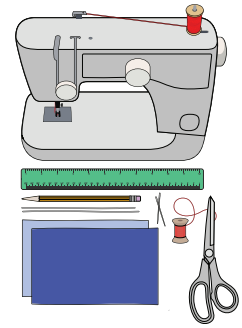
Individuals should be careful not to touch their eyes, nose, and mouth when removing their face covering and wash hands immediately after removing.



Sewn Face Cover

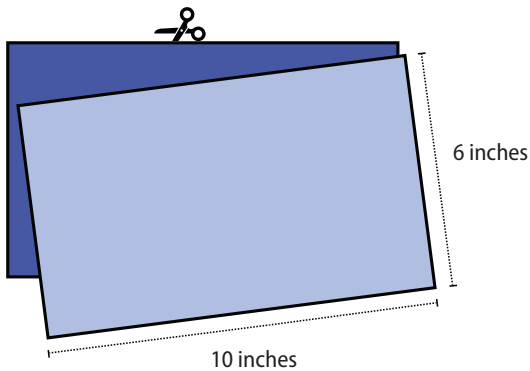
Materials

- Two 10"x6" rectangles of cotton fabric
- Two 6" pieces of elastic (or rubber bands, string, cloth strips, or hair ties)
- Needle and thread (or bobby pin)
- Scissors
- Sewing machine

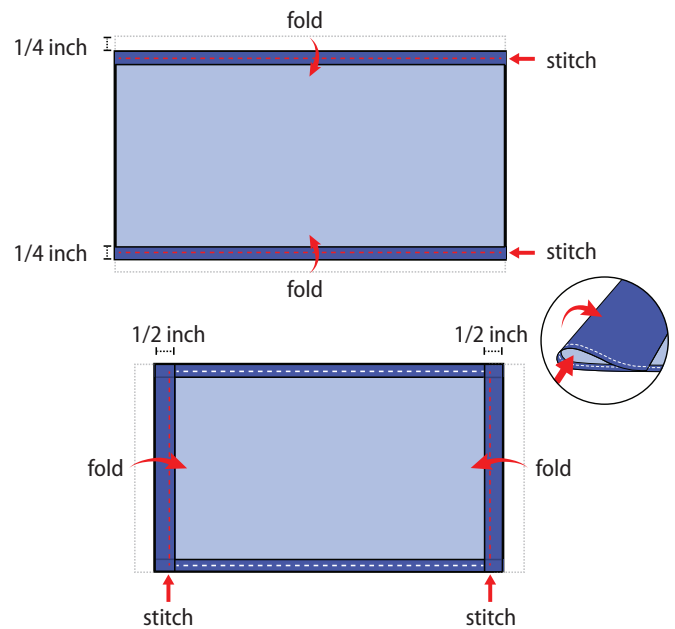


Tutorial

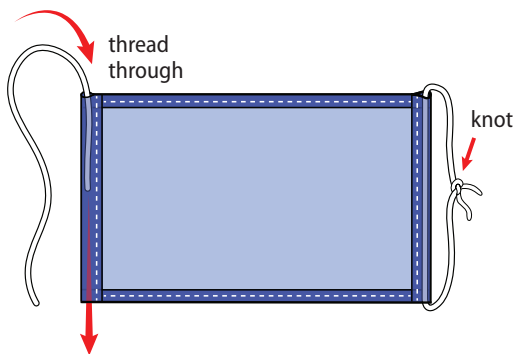
1. Cut out two 10-by-6-inch rectangles of cotton fabric. Use tightly woven cotton, such as quilting fabric or cotton sheets. T-shirt fabric will work in a pinch. Stack the two rectangles; you will sew the mask as if it was a single piece of fabric.



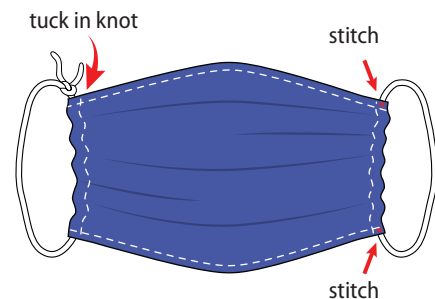
2. Fold over the long sides $\frac{1}{4}$ inch and hem. Then fold the double layer of fabric over $\frac{1}{2}$ inch along the short sides and stitch down.



3. Run a 6-inch length of $\frac{1}{8}$ -inch wide elastic through the wider hem on each side of the mask. These will be the ear loops. Use a large needle or a bobby pin to thread it through. Tie the ends tight. Don't have elastic? Use hair ties or elastic head bands. If you only have string, you can make the ties longer and tie the mask behind your head.



4. Gently pull on the elastic so that the knots are tucked inside the hem. Gather the sides of the mask on the elastic and adjust so the mask fits your face. Then securely stitch the elastic in place to keep it from slipping.

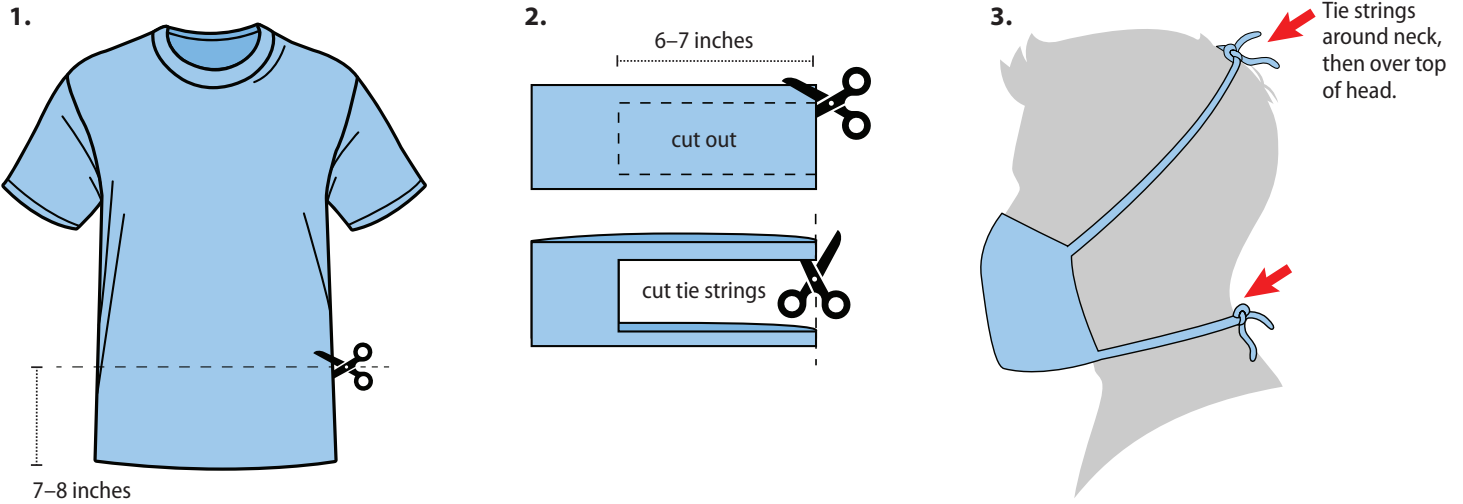


Quick Cut T-shirt Face Cover (no sew method)

Materials

- T-shirt
- Scissors

Tutorial

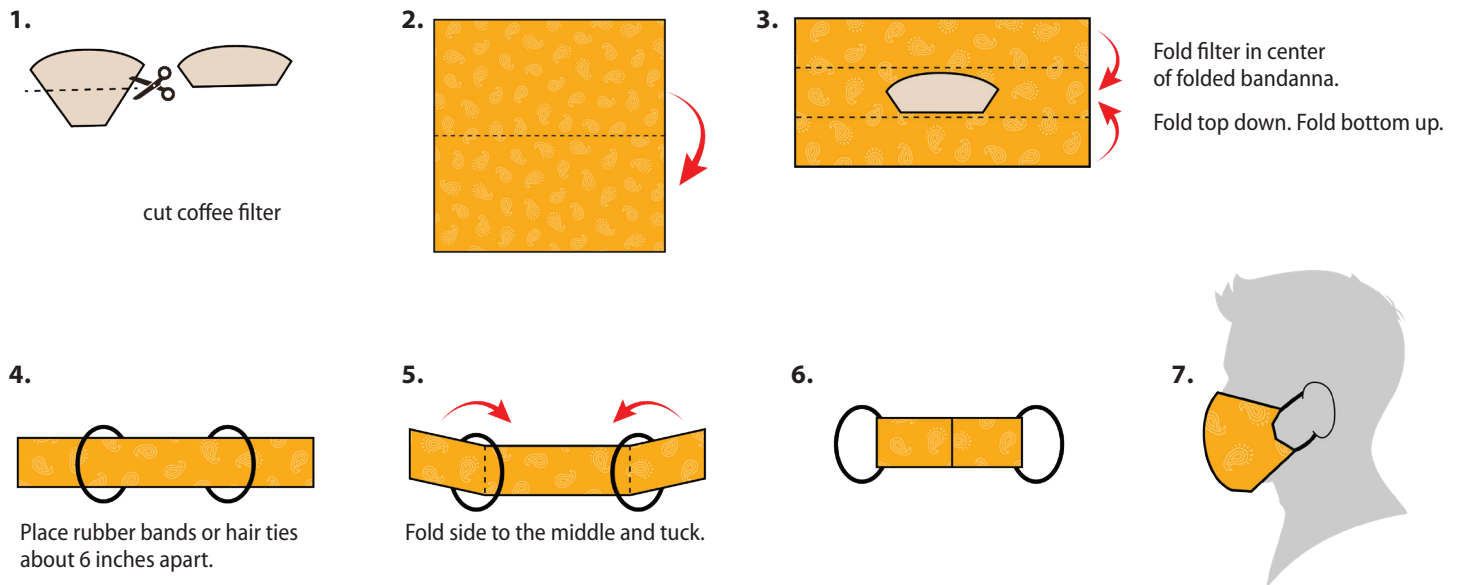


Bandanna Face Cover (no sew method)

Materials

- Bandana (or square cotton cloth approximately 20"x20")
- Coffee filter
- Rubber bands (or hair ties)
- Scissors (if you are cutting your own cloth)

Tutorial



Handwashing and Hand Sanitizer Use

at Home, at Play, and Out and About



Germs are everywhere! They can get onto hands and items we touch during daily activities and make you sick. Cleaning hands at key times with soap and water or hand sanitizer is one of the most important steps you can take to avoid getting sick and spreading germs to those around you.

There are important differences between washing hands with soap and water and cleaning them with hand sanitizer. For example, alcohol-based hand sanitizers don't kill ALL types of germs, such as a stomach bug called norovirus, some parasites, and *Clostridium difficile*, which causes severe diarrhea. Hand sanitizers also may not remove harmful chemicals, such as pesticides and heavy metals like lead. Handwashing reduces the amounts of all types of germs, pesticides, and metals on hands. Knowing when to clean your hands and which method to use will give you the best chance of preventing sickness.

When should I use?

Soap and Water

- Before, during, and after preparing food
- Before eating food
- Before and after caring for someone who is sick
- Before and after treating a cut or wound
- After using the bathroom, changing diapers, or cleaning up a child who has used the bathroom
- After blowing your nose, coughing, or sneezing
- After touching an animal, animal food or treats, animal cages, or animal waste
- After touching garbage
- If your hands are visibly dirty or greasy

Alcohol-Based Hand Sanitizer

- Before and after visiting a friend or a loved one in a hospital or nursing home, unless the person is sick with *Clostridium difficile* (if so, use soap and water to wash hands).
- If soap and water are not available, use an alcohol-based hand sanitizer that contains at least 60% alcohol, and wash with soap and water as soon as you can.

* Do **NOT** use hand sanitizer if your hands are visibly dirty or greasy: for example, after gardening, playing outdoors, or after fishing or camping (unless a handwashing station is not available). Wash your hands with soap and water instead.



How should I use?

Soap and Water

- **Wet** your hands with clean running water (warm or cold) and apply soap.
- **Lather** your hands by rubbing them together with the soap.
- **Scrub** all surfaces of your hands, including the palms, backs, fingers, between your fingers, and under your nails. Keep scrubbing for 20 seconds. Need a timer? Hum the “Happy Birthday” song twice.
- **Rinse** your hands under clean, running water.
- **Dry** your hands using a clean towel or air dry them.

Alcohol-Based Hand Sanitizer

Use an alcohol-based hand sanitizer that contains at least 60% alcohol. Supervise young children when they use hand sanitizer to prevent swallowing alcohol, especially in schools and childcare facilities.

- **Apply.** Put enough product on hands to cover all surfaces.
- **Rub** hands together, until hands feel dry. This should take around 20 seconds.

Note: Do not rinse or wipe off the hand sanitizer before it's dry; it may not work as well against germs.



For more information, visit the CDC handwashing website, www.cdc.gov/handwashing.

List N: Products with Emerging Viral Pathogens AND Human Coronavirus claims for use against SARS-CoV-2
Date Accessed: 03/23/2020

EPA Registration Number	Active Ingredient/s	Product Name	Company	Follow the disinfection directions and preparation for the following virus	Contact Time (in minutes)	Formulation Type	Emerging Viral Pathogen Claim?	Date Added to List N
1677-129	Hydrogen Peroxide; Peroxyacetic Acid	Cosa Oxonia Active	Ecolab Inc	Poliovirus	10	Dilutable	Yes	03/03/2020
1677-226	Hydrogen Peroxide; Octanoic Acid; Peroxyacetic Acid	Virasept	Ecolab Inc	Norovirus; Rhinovirus	4	RTU	Yes	03/03/2020
1677-235	Sodium Hypochlorite	Bleach Disinfectant Cleaner	Ecolab Inc	Murine Norovirus; Poliovirus; Rhinovirus	1	RTU	Yes	03/03/2020
1677-237	Hydrogen Peroxide; Peroxyacetic Acid	Oxycide Daily Disinfectant Cleaner	Ecolab Inc	Feline Calicivirus; Rhinovirus	3	Dilutable	Yes	03/03/2020
1677-238	Hydrogen Peroxide	Peroxide Multi Surface Cleaner and Disinfectant	Ecolab Inc	Norovirus	2	Dilutable	Yes	03/03/2020
1677-249	Isopropanol	Klercide 70/30 IPA	Ecolab Inc	Rhinovirus	5	RTU	Yes	03/03/2020
1677-251	Hydrogen Peroxide	Peroxide Disinfectant And Glass Cleaner Rtu	Ecolab Inc	Norovirus	2	RTU	Yes	03/03/2020
1839-220	Quaternary Ammonium	SC-RTU Disinfectant Cleaner	Stepan Company	Poliovirus	5	RTU	Yes	03/03/2020
1839-248	Quaternary Ammonium	Stepan Spray Disinfectant Concentrate	Stepan Company	Rhinovirus	5	Dilutable	Yes	03/03/2020
1839-83	Quaternary Ammonium	Detergent Disinfectant Pump Spray	Stepan Company	Canine Parvovirus	10	RTU	Yes	03/03/2020
4091-21	Quaternary Ammonium	Condor 2	W.M. Barr & Comapny Inc	Rotavirus	5	RTU	Yes	03/03/2020
4091-22	Quaternary Ammonium; Citric Acid	Raptor 5	W.M. Barr & Comapny Inc	Rhinovirus	5	RTU	Yes	03/03/2020

EPA Registration Number	Active Ingredient/s	Product Name	Company	Follow the disinfection directions and preparation for the following virus	Contact Time (in minutes)	Formulation Type	Emerging Viral Pathogen Claim?	Date Added to List N
42182-9	Quaternary Ammonium; Ethanol	Firebird F130	Microban Products Company	Poliovirus; Norovirus	5	RTU	Yes	03/03/2020
47371-129	Quaternary Ammonium	Formulation HWS-256	H&S Chemicals Division of Lonza LLC	Adenovirus	10	Dilutable	Yes	03/03/2020
47371-130	Quaternary Ammonium	Formulation HWS-128	H&S Chemicals Division of Lonza, LLC	Adenovirus	10	Dilutable	Yes	03/03/2020
47371-131	Quaternary Ammonium	HWS-64	H&S Chemicals Division of Lonza LLC	Adenovirus	10	Dilutable	Yes	03/03/2020
47371-192	Quaternary Ammonium	Formulation HWS-32	H&S Chemicals Division of Lonza LLC	Adenovirus	10	Dilutable	Yes	03/03/2020
56392-7	Sodium Hypochlorite	Clorox Healthcare® Bleach Germicidal Cleaner Spray	Clorox Professional Products Company	Canine Parvovirus; Feline Panleukopenia Virus; Hepatitis A Virus; Norovirus; Poliovirus; Rhinovirus	1	RTU	Yes	03/03/2020
5813-105	Sodium Hypochlorite	Clorox Multi Surface Cleaner + Bleach	The Clorox Company	Rhinovirus; Canine Parvovirus; Feline Panleukopenia Virus; Norovirus; Poliovirus	1	RTU	Yes	03/03/2020
5813-110	Hydrogen Peroxide	Clorox Pet Solutions Advanced Formula Disinfecting Stain & Odor Remover	The Clorox Company	Enterovirus D68; Norovirus; Rhinovirus	5	RTU	Yes	03/03/2020
5813-111	Sodium Hypochlorite	Clorox Disinfecting Bleach2	The Clorox Company	Canine Parvovirus; Feline Parvovirus	10	Dilutable	Yes	03/03/2020
5813-114	Sodium Hypochlorite	Clorox Performance Bleach1	The Clorox Company	Canine Parvovirus; Feline Parvovirus	10	Dilutable	Yes	03/03/2020
5813-115	Quaternary Ammonium	Clorox Scentiva	The Clorox	Rotavirus	5	RTU	Yes	03/03/2020

EPA Registration Number	Active Ingredient/s	Product Name	Company	Follow the disinfection directions and preparation for the following virus	Contact Time (in minutes)	Formulation Type	Emerging Viral Pathogen Claim?	Date Added to List N
		Bathroom Disinfecting Foam Cleaner	Company					
5813-21	Sodium Hypochlorite	Clorox Clean Up Cleaner + Bleach	The Clorox Company	Norovirus; Poliovirus	5	RTU	Yes	03/03/2020
5813-40	Quaternary Ammonium	Clorox Disinfecting Bathroom Cleaner	The Clorox Company	Rhinovirus	10	RTU	Yes	03/03/2020
5813-79	Quaternary Ammonium	Clorox Disinfecting Wipes	The Clorox Company	Rotavirus	4	Wipe	Yes	03/03/2020
5813-89	Sodium Hypochlorite	Clorox Toilet Bowl Cleaner with Bleach	The Clorox Company	Rhinovirus; Rotavirus	10	RTU	Yes	03/03/2020
63761-10	Quaternary Ammonium; Sodium Carbonate Peroxyhydrate	Sterilex Ultra Step	Sterilex	Feline Calicivirus; Rotavirus	10	Dilutable	Yes	03/03/2020
63761-8	Quaternary Ammonium; Hydrogen Peroxide	Sterilex Ultra Disinfectant Cleaner Solution 1	Sterilex	Feline Calicivirus	10	Dilutable	Yes	03/03/2020
675-54	Quaternary Ammonium	Lysol Brand Heavy Duty Cleaner Disinfectant Concentrate	Reckitt Benckiser LLC	Rotavirus	5	Dilutable	Yes	03/03/2020
67619-12	Sodium Hypochlorite	Clorox Healthcare® Bleach Germicidal Wipes	Clorox Professional Products Company	Canine Parvovirus; Feline Parvovirus	3	Wipe	Yes	03/03/2020
67619-16	Sodium Hypochlorite	Clorox Commercial Solutions® Toilet Bowl Cleaner with Bleach1	Clorox Professional Products Company	Rotavirus; Rhinovirus 39	10	RTU	Yes	03/03/2020
67619-17	Sodium Hypochlorite	Clorox Commercial Solutions® Clorox® Clean-Up Disinfectant Cleaner with Bleach1	Clorox Professional Products Company	Norovirus	5	RTU	Yes	03/03/2020

EPA Registration Number	Active Ingredient/s	Product Name	Company	Follow the disinfection directions and preparation for the following virus	Contact Time (in minutes)	Formulation Type	Emerging Viral Pathogen Claim?	Date Added to List N
67619-21	Quaternary Ammonium; Ethanol	Clorox Commercial Solutions® Clorox® Disinfecting Spray	Clorox Professional Products Company	Coxsackie Virus; Echovirus; Feline Calicivirus; Hepatitis A Virus; Poliovirus	10	RTU	Yes	03/03/2020
67619-24	Hydrogen Peroxide	Clorox Commercial Solutions® Hydrogen Peroxide Cleaner Disinfectant	Clorox Professional Products Company	Norovirus; Rhinovirus; Rotavirus	1	RTU	Yes	03/03/2020
67619-25	Hydrogen Peroxide	Clorox Commercial Solutions® Hydrogen Peroxide Cleaner Disinfectant Wipes	Clorox Professional Products Company	Norovirus	2	Wipe	Yes	03/03/2020
67619-29	Ethanol	Saginaw	Clorox Professional Products Company	Coxsackievirus; Hepatitis A Virus; Rhinovirus; Rotavirus	5	RTU	Yes	03/03/2020
67619-30	Sodium Hypochlorite	GNR	Clorox Professional Products Company	Coxsackievirus; Feline Calicivirus; Feline Panleukopenia Virus; Minute virus of mice; Poliovirus; Rhinovirus Type 37	1	RTU	Yes	03/03/2020
67619-31	Quaternary Ammonium	Clorox Commercial Solutions® Clorox® Disinfecting Wipes	Clorox Professional Products Company	Rotavirus	4	Wipe	Yes	03/03/2020
67619-32	Sodium Hypochlorite	CloroxPro™ Clorox® Germicidal Bleach	Clorox Professional Products Company	Canine Parvovirus; Coxsackievirus B3 Virus; Enterovirus D68; Norovirus; Feline Parvovirus; Hepatitis A Virus; Murine Norovirus; Poliovirus; Rhinovirus	5	Dilutable	Yes	03/03/2020
67619-33	Hydrogen Peroxide	Clorox Commercial	Clorox	Enterovirus, Norovirus;	5	RTU	Yes	03/03/2020

EPA Registration Number	Active Ingredient/s	Product Name	Company	Follow the disinfection directions and preparation for the following virus	Contact Time (in minutes)	Formulation Type	Emerging Viral Pathogen Claim?	Date Added to List N
		Solutions® Clorox® Disinfecting Biostain & Odor Remover	Professional Products Company	Rhinovirus Type 37				
67619-37	Quaternary Ammonium	Clorox Healthcare® VersaSure® Wipes	Clorox Professional Products Company	Norovirus	5	Wipe	Yes	03/03/2020
67619-38	Quaternary Ammonium	CloroxPro™ Clorox Total 360® Disinfecting Cleaner1	Clorox Professional Products Company	Coxsackievirus Type B3	5	RTU	Yes	03/03/2020
6836-140	Quaternary Ammonium	Lonza Formulation S- 21F	Lonza LLC	Norovirus	10	Dilutable	Yes	03/03/2020
6836-152	Quaternary Ammonium	Lonza Formulation DC-103	Lonza LLC	Norovirus	10	RTU	Yes	03/03/2020
6836-266	Quaternary Ammonium	BARDAC 205M-10	Lonza LLC	Norovirus	10	Dilutable	Yes	03/03/2020
6836-278	Quaternary Ammonium	BARDAC 205M-14.08	Lonza LLC	Norovirus	10	Dilutable	Yes	03/03/2020
6836-289	Quaternary Ammonium	BARDAC 205M RTU	Lonza LLC	Norovirus	10	RTU	Yes	03/03/2020
6836-302	Quaternary Ammonium	BARDAC 205M-2.6	Lonza LLC	Norovirus	10	Dilutable	Yes	03/03/2020
6836-305	Quaternary Ammonium	BARDAC 205M-23	Lonza LLC	Norovirus	10	Dilutable	Yes	03/03/2020
6836-313	Quaternary Ammonium	Lonza Disinfectant Wipes	Lonza LLC	Rotavirus	10	Wipe	Yes	03/03/2020
6836-340	Quaternary Ammonium	Lonza Disinfectant Wipes Plus 2	Lonza LLC	Norovirus	10	Wipe	Yes	03/03/2020
6836-349	Quaternary Ammonium	Lonzagard RCS-256 Plus	Lonza LLC	Enterovirus D68; Norovirus	5	Dilutable	Yes	03/03/2020
6836-361	Quaternary Ammonium	Nugen MB5A-256	Lonza LLC	Norovirus	5	Dilutable	Yes	03/03/2020
6836-364	Quaternary Ammonium	Nugen MB5N-256	Lonza LLC	Norovirus	5	Dilutable	Yes	03/03/2020
6836-365	Quaternary Ammonium	Nugen MB5N-128	Lonza LLC	Norovirus	5	Dilutable	Yes	03/03/2020
6836-70	Quaternary Ammonium	BARDAC 205M-7.5	Lonza LLC	Norovirus	10	Dilutable	Yes	03/03/2020
6836-75	Quaternary Ammonium	Lonza Formulation	Lonza LLC	Norovirus	10	Dilutable	Yes	03/03/2020

EPA Registration Number	Active Ingredient/s	Product Name	Company	Follow the disinfection directions and preparation for the following virus	Contact Time (in minutes)	Formulation Type	Emerging Viral Pathogen Claim?	Date Added to List N
S-21								
6836-77	Quaternary Ammonium	Lonza Formulation S- 18	Lonza LLC	Norovirus	10	Dilutable	Yes	03/03/2020
6836-78	Quaternary Ammonium	Lonza Formulation R- 82	Lonza LLC	Norovirus	10	Dilutable	Yes	03/03/2020
70627-24	Quaternary Ammonium	Virex™ II / 256	Diversey Inc	Adenovirus Type 2	10	Dilutable	Yes	03/03/2020
70627-56	Hydrogen Peroxide	Oxivir Tb	Diversey Inc	Norovirus; Rhinovirus; Poliovirus Type 1	1	RTU	Yes	03/03/2020
70627-58	Hydrogen Peroxide	Oxy-Team™ Disinfectant Cleaner	Diversey Inc	Canine Parvovirus; Feline Picornavirus	5	Dilutable	Yes	03/03/2020
70627-60	Hydrogen Peroxide	Oxivir™ Wipes	Diversey Inc	Norovirus; Poliovirus Type 1; Rhinovirus Type 14	1	Wipe	Yes	03/03/2020
70627-72	Sodium Hypochlorite	Avert Sporicidal Disinfectant Cleaner	Diversey Inc	Canine Parvovirus; Norovirus; Hepatitis A; Poliovirus Type 1	1	Dilutable	Yes	03/03/2020
70627-74	Hydrogen Peroxide	Oxivir 1	Diversey Inc	Canine Parvovirus; Enterovirus Type D68	1	RTU	Yes	03/03/2020
70627-77	Hydrogen Peroxide	Oxivir 1 Wipes	Diversey Inc	Enterovirus Type D68	1	Wipe	Yes	03/03/2020
71847-6	Sodium Dichloro-S-Triazinetrione	Klorsept	Medentech LTD	Hepatitis A virus; Coxsackievirus B3	1	Dilutable	Yes	03/03/2020
71847-7	Sodium Dichloro-S-Triazinetrione	Klorkleen	Medentech LTD	Hepatitis A virus; Coxsackievirus B3	1	Dilutable	Yes	03/03/2020
777-127	Quaternary Ammonium; Ethanol	Lysol® Disinfectant Max Cover Mist	Reckitt Benckiser LLC	Norovirus	10	RTU	Yes	03/03/2020
777-132	Hydrochloric Acid	Lysol Brand Power Plus Toilet Bowl Cleaner	Reckitt Benckiser LLC	Poliovirus Type 1	10	RTU	Yes	03/03/2020
777-70	Quaternary Ammonium	Lysol Brand Cling & Fresh Toilet Bowl Cleaner	Reckitt Benckiser LLC	Rotavirus	0.5	RTU	Yes	03/03/2020
777-81	Hydrochloric Acid	Lysol Brand Lime & Rust Toilet Bowl	Reckitt Benckiser LLC	Poliovirus Type 1; Hepatitis A virus	10	RTU	Yes	03/03/2020

EPA Registration Number	Active Ingredient/s	Product Name	Company	Follow the disinfection directions and preparation for the following virus	Contact Time (in minutes)	Formulation Type	Emerging Viral Pathogen Claim?	Date Added to List N
		Cleaner						
777-83	Sodium Hypochlorite	Lysol Brand Bleach Mold And Mildew Remover	Reckitt Benckiser LLC	Rhinovirus; Norovirus	0.5	RTU	Yes	03/03/2020
777-89	Quaternary Ammonium	Lysol Brand Clean & Fresh Multi-surface Cleaner	Reckitt Benckiser LLC	Rotavirus WA	3	Dilutable	Yes	03/03/2020
777-99	Quaternary Ammonium; Ethanol	Lysol® Disinfectant Spray	Reckitt Benckiser LLC	Norovirus	10	RTU	Yes	03/03/2020
84368-1	Ethanol	Urthpro	Urthtech LLC	Hepatitis A virus	1	RTU	Yes	03/03/2020
84150-1	Ethanol	PURELL Professional Surface Disinfectant Wipes	GOJO Industries Inc	Norovirus	5	Wipe	Yes	03/03/2020
88494-3	Quaternary Ammonium; Ethanol	Peak Disinfectant	North American Infection Control Ltd	Poliovirus Type 1; Rhinovirus	1	RTU	Yes	03/03/2020
88494-4	Quaternary Ammonium; Ethanol	Peak Disinfectant Wipes	North American Infection Control Ltd	Poliovirus Type 1; Rhinovirus	1	Wipe	Yes	03/03/2020
9480-10	Quaternary Ammonium; Ethanol; Isopropanol	Sani-Prime Germicidal Spray	Professional Disposables International, Inc.	Feline Calicivirus	3	RTU	Yes	03/03/2020
9480-12	Quaternary Ammonium; Ethanol; Isopropanol	Sani-Cloth Prime Germicidal Disposable Wipe	Professional Disposables International Inc	Feline Calicivirus	3	Wipe	Yes	03/03/2020
9480-14	Hydrogen Peroxide	Sani-HyPerCide Germicidal Spray	Professional Disposables International, Inc.	Norovirus	1	RTU	Yes	03/03/2020
37549-1	Sodium Hypochlorite	Micro-kill Bleach Germicidal Bleach Wipes	Medline Industries Inc	Norovirus	0.5	Wipe	Yes	03/13/2020

EPA Registration Number	Active Ingredient/s	Product Name	Company	Follow the disinfection directions and preparation for the following virus	Contact Time (in minutes)	Formulation Type	Emerging Viral Pathogen Claim?	Date Added to List N
37549-2	Sodium Hypochlorite	Micro-kill Bleach Solution	Medline Industries Inc	Norovirus	0.5	RTU	Yes	03/13/2020
46781-12	Quaternary Ammonium; Ethanol; Isopropanol	Cavicide 1	Metrex Research	Adenovirus; Rotavirus; Feline Calicivirus	3	RTU	Yes	03/13/2020
46781-13	Quaternary Ammonium; Ethanol; Isopropanol	Caviwipes 1	Metrex Research	Adenovirus	3	Wipe	Yes	03/13/2020
46781-14	Sodium Hypochlorite	Caviwipes Bleach	Metrex Research	Feline calicivirus	3	Wipe	Yes	03/13/2020
46781-15	Sodium Hypochlorite	Cavicide Bleach	Metrex Research	Poliovirus; Rhinovirus	3	RTU	Yes	03/13/2020
67619-9	Quaternary Ammonium	PJW-622	Clorox Professional Products Company	Rotavirus	3	Wipe	Yes	03/13/2020
67619-20	Quaternary Ammonium	Rex	Clorox Professional Products Company	Hepatitis A virus	10	RTU	Yes	03/13/2020
67619-35	Peracetic Acid; Hydrogen Peroxide	Blacksmith	Clorox Professional Products Company	Rhinovirus	1	RTU	Yes	03/13/2020
67619-41	Quaternary Ammonium	PPD Dash	Clorox Professional Products Company	Rotavirus	10	Dilutable	Yes	03/13/2020
74559-1	Hydrogen Peroxide	Accel TB	Virox Technologies Inc	Poliovirus; Feline Calicivirus	1	RTU	Yes	03/13/2020
74559-3	Hydrogen Peroxide	Accel TB Wipes	Virox Technologies Inc	Poliovirus	1	Wipe	Yes	03/13/2020
74559-4	Hydrogen Peroxide	Accel (Concentrate) Disinfectant Cleaner	Virox Technologies Inc	Poliovirus	5	Dilutable	Yes	03/13/2020
74559-9	Hydrogen Peroxide	Oxy-1 RTU	Virox Technologies Inc	Poliovirus	0.5	RTU	Yes	03/13/2020
74559-10	Hydrogen Peroxide	Oxy-1 Wipes	Virox	Poliovirus	0.5	Wipe	Yes	03/13/2020

EPA Registration Number	Active Ingredient/s	Product Name	Company	Follow the disinfection directions and preparation for the following virus	Contact Time (in minutes)	Formulation Type	Emerging Viral Pathogen Claim?	Date Added to List N
			Technologies Inc					
83614-1	Quaternary Ammonium	DETSAN24	Byotrol Inc	Feline calivirus	5	RTU	Yes	03/13/2020
84150-2	Ethanol	Mitersaw	GOJO Industries Inc	Feline calivirus	5	Wipe	Yes	03/13/2020
87742-1	Thymol	Thymox Disinfectant Spray	Laboratorie M2	Norovirus	4	RTU	Yes	03/13/2020
5813-58	Quaternary Ammonium	Spruce-ups	The Clorox Company	Rotavirus	0.25	Wipe	Yes	03/13/2020
5813-100	Sodium Hypochlorite	Puma	The Clorox Company	Canine parvovirus	10	Dilutable	Yes	03/13/2020
5813-102	Sodium Hypochlorite	CGB1	The Clorox Company	Canine parvovirus	10	Dilutable	Yes	03/13/2020
5813-109	Quaternary Ammonium	Say Q	The Clorox Company	Rotavirus	10	RTU	Yes	03/13/2020
5813-113	Quaternary Ammonium	CDW	The Clorox Company	Rotavirus	4	Wipe	Yes	03/13/2020
5813-118	Quaternary Ammonium	Dash	The Clorox Company	Rotavirus	10	RTU	Yes	03/13/2020
6836-136	Quaternary Ammonium	Lonza Formulation S-18F	Lonza LLC	Feline calicivirus	10	Dilutable	Yes	03/13/2020
6836-139	Quaternary Ammonium	Lonza Formulation R-82F	Lonza LLC	Feline calicivirus	10	Dilutable	Yes	03/13/2020
6836-277	Quaternary Ammonium	BARDAC 205M-1.30	Lonza LLC	Norovirus	10	Dilutable	Yes	03/13/2020
6836-303	Quaternary Ammonium	BARDAC 205M-5.2	Lonza LLC	Norovirus	10	Dilutable	Yes	03/13/2020
6836-346	Quaternary Ammonium	Lonzagard RCS-256	Lonza LLC	Norovirus	5	Dilutable	Yes	03/13/2020
6836-347	Quaternary Ammonium	Lonzagard RCS-128	Lonza LLC	Feline calicivirus; Enterovirus	5	Dilutable	Yes	03/13/2020
6836-348	Quaternary Ammonium	Lonzagard RCS-128 PLUS	Lonza LLC	Feline calicivirus; Enterovirus	5	Dilutable	Yes	03/13/2020
6836-362	Quaternary Ammonium	Nugen MB5A-128	Lonza LLC	Norovirus	5	Dilutable	Yes	03/13/2020
6836-363	Quaternary Ammonium	Nugen MB5A-64	Lonza LLC	Norovirus	5	Dilutable	Yes	03/13/2020

EPA Registration Number	Active Ingredient/s	Product Name	Company	Follow the disinfection directions and preparation for the following virus	Contact Time (in minutes)	Formulation Type	Emerging Viral Pathogen Claim?	Date Added to List N
6836-366	Quaternary Ammonium	Nugen MB5N-64	Lonza LLC	Norovirus	5	Dilutable	Yes	03/13/2020
67619-26	Sodium Hypochlorite	Boris	Clorox Professional Products Company	Canine parvovirus	10	Dilutable	Yes	03/13/2020
1677-250	Hydrogen Peroxide; Peroxyoctanoic Acid; Peroxyacetic Acid	Synergex	Ecolab Inc	Reovirus	5	Dilutable	Yes	03/13/2020
44446-23	Quaternary Ammonium	Germ Away	Quest Specialty Corp	Canine parvovirus	10	RTU	Yes	03/13/2020
1677-233	Quaternary Ammonium	Multi-Purpose Disinfectant Cleaner	Ecolab Inc	Feline calicivirus	10	Dilutable	Yes	03/19/2020
9480-8	Sodium Hypochlorite	Sani-Cloth Bleach Germicidal Disposable Wipe	Professional Disposables International Inc	Adenovirus; Rotavirus; Canine parvovirus; Hepatitis A virus; Poliovirus Type 1; Rhinovirus Type 37; Feline calicivirus	1	Wipe	Yes	03/19/2020
9480-9	Quaternary Ammonium	AF3 Germicidal Disposable Wipe	Professional Disposables International Inc	Rotavirus; Adenovirus	3	Wipe	Yes	03/19/2020
9480-4	Quaternary Ammonium; Isopropanol	Super Sani-Cloth Germicidal Disposable Wipe	Professional Disposables International Inc	Rhinovirus 39; Adenovirus	2	Wipe	Yes	03/19/2020
84526-6	Hydrogen Peroxide; Silver	Halomist	Halosil International Inc	Feline calicivirus; Minute virus of men	10	RTU	Yes	03/19/2020
1130-15	Quaternary Ammonium; Isopropanol	Weiman Germicidal Solution	Weiman Products LLC	Rotavirus	3	RTU	Yes	03/19/2020
706-111	Quaternary Ammonium	Claire Disinfectant Spray Q	Claire Manufacturing Company	Poliovirus	5	RTU	Yes	03/19/2020
91582-1	Hypochlorous Acid	Danolyte	Danolyte Global Inc	Adenovirus; Rhinovirus	10	RTU	Yes	03/19/2020

EPA Registration Number	Active Ingredient/s	Product Name	Company	Follow the disinfection directions and preparation for the following virus	Contact Time (in minutes)	Formulation Type	Emerging Viral Pathogen Claim?	Date Added to List N
70144-1	Quaternary Ammonium; Isopropanol	Opti-Cide 3	Micro-Scientific LLC	Rotavirus; Rhinovirus Type 14	2	RTU	Yes	03/19/2020
675-55	Citric Acid	Lysol Bathroom Cleaner	Reckitt Benckiser LLC	Poliovirus	5	RTU	Yes	03/19/2020
90150-2	Hydrogen Peroxide	Binary Ionization Technology (BIT) Solution	Tomi Environmental Solutions Inc	Feline calicivirus	15	Fog; Mist	Yes	03/19/2020
85134-1	Hypochlorous Acid	Envirocleanse A	Envirocleanse LLC	Norovirus	10	RTU	Yes	03/19/2020
5813-120	Sodium Hypochlorite	CRB	The Clorox Company	Canine parvovirus	10	Dilutable	Yes	03/19/2020
87518-6	Sodium Hypochlorite	Sporex	HSP USA LLC	Norovirus; Canine parvovirus	1	RTU	Yes	03/19/2020
6659-3	Quaternary Ammonium	Spray Nine	ITW Permatex Inc	Norovirus; Rhinovirus; Poliovirus	0.5	RTU	No	03/13/2020
10324-63	Quaternary Ammonium	Maquat 10	Mason Chemical Company	Human Coronavirus	10	Dilutable	No	03/13/2020
10324-71	Quaternary Ammonium	Maquat 280	Mason Chemical Company	Human Coronavirus	10	Dilutable	No	03/13/2020
10324-72	Quaternary Ammonium	Maquat 615-HD	Mason Chemical Company	Human Coronavirus	10	Dilutable	No	03/13/2020
10324-80	Quaternary Ammonium	Maquat 5.5-M	Mason Chemical Company	Human Coronavirus	10	Dilutable	No	03/13/2020
10324-81	Quaternary Ammonium	Maquat 7.5-M	Mason Chemical Company	Human Coronavirus	10	Dilutable	No	03/13/2020
10324-85	Quaternary Ammonium	Maquat 86-M	Mason Chemical Company	Human Coronavirus	10	Dilutable	No	03/13/2020
10324-93	Quaternary Ammonium	Maquat 64-PD	Mason Chemical Company	Human Coronavirus	10	Dilutable	No	03/13/2020
10324-94	Quaternary Ammonium	Maquat 20-M	Mason Chemical Company	Human Coronavirus	10	Dilutable	No	03/13/2020
10324-96	Quaternary Ammonium	Maquat 50-DS	Mason Chemical Company	Human Coronavirus	10	Dilutable	No	03/13/2020

EPA Registration Number	Active Ingredient/s	Product Name	Company	Follow the disinfection directions and preparation for the following virus	Contact Time (in minutes)	Formulation Type	Emerging Viral Pathogen Claim?	Date Added to List N
10324-99	Quaternary Ammonium	Maquat 10-PD	Mason Chemical Company	Human Coronavirus	10	Dilutable	No	03/13/2020
10324-105	Quaternary Ammonium	Maquat 128 PD	Mason Chemical Company	Human Coronavirus	10	Dilutable	No	03/13/2020
10324-108	Quaternary Ammonium	Maquat 256-MN	Mason Chemical Company	Human Coronavirus	10	Dilutable	No	03/13/2020
10324-112	Quaternary Ammonium	Maquat 128-MN	Mason Chemical Company	Human Coronavirus	10	Dilutable	No	03/13/2020
10324-113	Quaternary Ammonium	Maquat 64-MN	Mason Chemical Company	Human Coronavirus	10	Dilutable	No	03/13/2020
10324-114	Quaternary Ammonium	Maquat 32-MN	Mason Chemical Company	Human Coronavirus	10	Dilutable	No	03/13/2020
10324-115	Quaternary Ammonium	Maquat 750-M	Mason Chemical Company	Human Coronavirus	10	Dilutable	No	03/13/2020
10324-117	Quaternary Ammonium	Maquat 710-M	Mason Chemical Company	Human Coronavirus	10	Dilutable	No	03/13/2020
10324-140	Quaternary Ammonium	Maquat MQ2525M-CPV	Mason Chemical Company	Human Coronavirus	10	Dilutable	No	03/13/2020
10324-141	Quaternary Ammonium	Maquat 256-NHQ	Mason Chemical Company	Human Coronavirus	10	Dilutable	No	03/13/2020
10324-142	Quaternary Ammonium	Maquat MQ2525M-14	Mason Chemical Company	Human Coronavirus	10	Dilutable	No	03/13/2020
10324-154	Quaternary Ammonium	Maquat 64-NHQ	Mason Chemical Company	Human Coronavirus	10	Dilutable	No	03/13/2020
10324-155	Quaternary Ammonium	Maquat 128-NHQ	Mason Chemical Company	Human Coronavirus	10	Dilutable	No	03/13/2020
10324-156	Quaternary Ammonium	Maquat 512-NHQ	Mason Chemical Company	Human Coronavirus	10	Dilutable	No	03/13/2020
10324-157	Quaternary Ammonium	Maquat 32-NHQ	Mason Chemical Company	Human Coronavirus	10	Dilutable	No	03/13/2020
10324-164	Quaternary Ammonium	Maquat 256 PD	Mason Chemical Company	Human Coronavirus	10	Dilutable	No	03/13/2020
10324-166	Quaternary Ammonium	Maquat 32	Mason Chemical	Human Coronavirus	10	Dilutable	No	03/13/2020

EPA Registration Number	Active Ingredient/s	Product Name	Company	Follow the disinfection directions and preparation for the following virus	Contact Time (in minutes)	Formulation Type	Emerging Viral Pathogen Claim?	Date Added to List N
			Company					
10324-167	Quaternary Ammonium	Maquat 32 PD	Mason Chemical Company	Human Coronavirus	10	Dilutable	No	03/13/2020
10324-177	Quaternary Ammonium	Maquat 705-M	Mason Chemical Company	Human Coronavirus	10	Dilutable	No	03/13/2020
10324-194	Quaternary Ammonium	Maquat 2420-10	Mason Chemical Company	Human Coronavirus	10	Dilutable	No	03/13/2020
10324-198	Quaternary Ammonium	Maquat 702.5-M	Mason Chemical Company	Human Coronavirus	10	Dilutable	No	03/13/2020
10324-214	Hydrogen Peroxide; Peroxyacetic Acid	Maguard 5626	Mason Chemical Company	Human Coronavirus	10	Dilutable	No	03/13/2020
10324-230	Hydrogen Peroxide; Peroxyacetic Acid	Maguard 1522	Mason Chemical Company	Human Coronavirus	1	Dilutable	No	03/13/2020
10492-4	Quaternary Ammonium; Isopropanol	Discide Ultra Disinfecting Towelettes	Palermo Healthcare LLC	Human Coronavirus	0.5	Wipe	No	03/13/2020
10492-5	Quaternary Ammonium; Isopropanol	Discide Ultra Disinfecting Spray	Palermo Healthcare LLC	Human Coronavirus	0.5	RTU	No	03/13/2020
11346-4	Quaternary Ammonium	Clorox QS	The Clorox Company	Human Coronavirus	2	RTU	No	03/13/2020
34810-31	Phenolic	Wex-cide 128	Wexford Labs Inc	Human Coronavirus	10	Dilutable	No	03/13/2020
42964-17	Quaternary Ammonium; Ethanol	Asepticare	Airkem professional products	Human Coronavirus	2	RTU	No	03/13/2020
46781-6	Quaternary Ammonium; Isopropanol	Cavicide	Metrex Research	Human Coronavirus	2	RTU	No	03/13/2020
54289-4	Peroxyacetic Acid	Peraclean 15 (Peroxyacetic Acid Solution)	Evonik Corporation	Human Coronavirus	1	Dilutable	No	03/13/2020
56392-10	Sodium Hypochlorite	Caltech Swat 200 9B	Clorox Professional Products Company	Human Coronavirus	2	RTU	No	03/13/2020

EPA Registration Number	Active Ingredient/s	Product Name	Company	Follow the disinfection directions and preparation for the following virus	Contact Time (in minutes)	Formulation Type	Emerging Viral Pathogen Claim?	Date Added to List N
61178-1	Quaternary Ammonium	D-125	Microgen Inc	Human Coronavirus	10	Dilutable	No	03/13/2020
61178-5	Quaternary Ammonium	CCX-151	Microgen Inc	Human Coronavirus	10	Dilutable	No	03/13/2020
62472-2	Quaternary Ammonium	Kennelsol HC	Alpha Tech Pet Inc.	Human Coronavirus	10	Dilutable	No	03/13/2020
67619-8	Sodium Hypochlorite	CPPC Ultra Bleach 2	Clorox Professional Products Company	Human Coronavirus	5	Dilutable	No	03/13/2020
67619-10	Quaternary Ammonium	CPPC Everest	Clorox Professional Products Company	Human Coronavirus	10	Dilutable	No	03/13/2020
67619-11	Sodium Hypochlorite	CPPC Shower	Clorox Professional Products Company	Human Coronavirus	1	RTU	No	03/13/2020
67619-13	Sodium Hypochlorite	CPPC Storm	Clorox Professional Products Company	Human Coronavirus	1	RTU	No	03/13/2020
67619-27	Sodium Hypochlorite	Buster	Clorox Professional Products Company	Human Coronavirus	5	RTU	No	03/13/2020
67619-28	Sodium Hypochlorite	Milo	Clorox Professional Products Company	Human Coronavirus	5	Dilutable	No	03/13/2020
70060-19	Sodium Chlorite; Sodium Dischloroisocyanurate Dihydrate	Aseptrol S10-Tab	BASF Corporation	Human Coronavirus	10	Solid	No	03/13/2020
70144-4	Quaternary Ammonium; Ethanol	Opti-cide Max Wipes	Micro-Scientific LLC	Human Coronavirus	2	Wipe	No	03/13/2020
70144-5	Quaternary Ammonium; Ethanol	Opti-cide Max	Micro-Scientific LLC	Human Coronavirus	2	RTU	No	03/13/2020

EPA Registration Number	Active Ingredient/s	Product Name	Company	Follow the disinfection directions and preparation for the following virus	Contact Time (in minutes)	Formulation Type	Emerging Viral Pathogen Claim?	Date Added to List N
70271-13	Sodium Hypochlorite	Pure Bright Germicidal Ultra Bleach	KIK International LLC	Human Coronavirus	5	Dilutable	No	03/13/2020
70385-6	Quaternary Ammonium	QGC	Prorestore Products	Human Coronavirus	10	Dilutable	No	03/13/2020
70590-2	Sodium Hypochlorite	Bleach-rite Disinfecting Spray With Bleach	Current Technologies Inc	Human Coronavirus	1	RTU	No	03/13/2020
70627-2	Quaternary Ammonium	Disinfectant D.C. 100	Diversey Inc	Human Coronavirus	2	RTU	No	03/13/2020
70627-6	Phenolic	Phenolic Disinfectant HG	Diversey Inc	Human Coronavirus	10	Dilutable	No	03/13/2020
70627-15	Quaternary Ammonium	Warrior	Diversey Inc	Human Coronavirus	10	Dilutable	No	03/13/2020
70627-23	Quaternary Ammonium	Virex II/ 64	Diversey Inc	Human Coronavirus	10	Dilutable	No	03/13/2020
70627-35	Quaternary Ammonium	Envy Foaming Disinfectant Cleaner	Diversey Inc	Human Coronavirus	3	Dilutable	No	03/13/2020
70627-62	Hydrogen Peroxide	Phato 1:64 Disinfectant Cleaner	Diversey Inc	Human Coronavirus	5	Dilutable	No	03/13/2020
70627-63	Quaternary Ammonium	512 Sanitizer	Diversey Inc	Human Coronavirus	10	Dilutable	No	03/13/2020
70627-75	Sodium Hypochlorite	Avert Sporicidal Disinfectant Cleaner Wipes	Diversey Inc	Human Coronavirus	1	Wipe	No	03/13/2020
70627-78	Hydrogen Peroxide	Suretouch	Diversey Inc	Human Coronavirus	5	RTU	No	03/13/2020
72977-3	Silver Ion; Citric Acid	Axen(R) 30	ETI H2O Inc	Human Coronavirus	3	RTU	No	03/13/2020
72977-5	Silver Ion; Citric Acid	Sdc3a	ETI H2O Inc	Human Coronavirus	1	RTU	No	03/13/2020
74559-6	Hydrogen Peroxide	Oxy-res (Concentrate)	Virox Technologies Inc	Human Coronavirus	5	Dilutable	No	03/13/2020
74559-8	Hydrogen Peroxide	Accel 5 RTU	Virox Technologies Inc	Human Coronavirus	5	RTU	No	03/13/2020
74986-4	Sodium Chlorite	Selectroicide 2L500	Selective Micro Technologies	Human Coronavirus	10	Dilutable	No	03/13/2020

EPA Registration Number	Active Ingredient/s	Product Name	Company	Follow the disinfection directions and preparation for the following virus	Contact Time (in minutes)	Formulation Type	Emerging Viral Pathogen Claim?	Date Added to List N
			LLC					
74986-5	Sodium Chlorite	Selectocide 5g	Selective Micro Technologies LLC	Human Coronavirus	10	Solid	No	03/13/2020
85343-1	Quaternary Ammonium	Teccare Control	Talley Environmental Care Limited	Human Coronavirus	10	Dilutable	No	03/13/2020
87508-3	Sodium Chlorite	Performacide	Odorstart LLC	Human Coronavirus	10	Dilutable	No	03/13/2020
88494-1	Quaternary Ammonium; Ethanol	Wedge Disinfectant	North American Infection Control LTD	Human Coronavirus	1	Dilutable	No	03/13/2020
89896-2	Hypochlorous Acid	Cleansmart	Simple Science Limited	Human Coronavirus	10	RTU	No	03/13/2020
89900-1	Hydrogen Peroxide	Nathan 2	S.C. Johnson Professional	Human Coronavirus	5	RTU	No	03/13/2020
90287-1	Quaternary Ammonium	Maquat 25.6-PDX	VI-JON INC	Human Coronavirus	10	Dilutable	No	03/13/2020
1839-169	Quaternary Ammonium	BTC 885 Neutral Disinfectant Cleaner-64	Stepan Company	Human Coronavirus	10	Dilutable	No	03/13/2020
777-66	Quaternary Ammonium	Lysol® Brand All Purpose Cleaner	Reckitt Benckiser	Human Coronavirus	2	RTU	No	03/13/2020
777-82	Quaternary Ammonium	Lysol Brand Deodorizing Disinfectant Cleaner	Reckitt Benckiser	Human Coronavirus	10	Dilutable	No	03/13/2020
777-91	Quaternary Ammonium	Lysol® Kitchen Pro Antibacterial Cleaner	Reckitt Benckiser	Human Coronavirus	2	RTU	No	03/13/2020
777-114	Quaternary Ammonium	Lysol® Disinfecting Wipes (All Scents)	Reckitt Benckiser	Rotavirus	10	Wipe	No	03/13/2020
777-130	Quaternary Ammonium	Caterpillar	Reckitt Benckiser	Human Coronavirus	2.5	Wipe	No	03/13/2020
777-131	Hypochlorous Acid	Cousteau	Reckitt Benckiser	Human Coronavirus	10	RTU	No	03/13/2020

EPA Registration Number	Active Ingredient/s	Product Name	Company	Follow the disinfection directions and preparation for the following virus	Contact Time (in minutes)	Formulation Type	Emerging Viral Pathogen Claim?	Date Added to List N
777-136	Ethanol	Lysol Neutra Air® 2 in 1	Reckitt Benckiser	Human Coronavirus	0.5	RTU	No	03/13/2020
1672-65	Sodium Hypochlorite	Austin A-1 Ultra Disinfecting Bleach	James Austin Company	Human Coronavirus	10	Dilutable	No	03/13/2020
1672-67	Sodium Hypochlorite	Austin's A-1 Concentrated Bleach 8.25%	James Austin Company	Human Coronavirus	5	Dilutable	No	03/13/2020
1677-204	Octanoic Acid	65 Disinfecting Heavy Duty Acid Bathroom Cleaner	Ecolab Inc	Human Coronavirus	2	Dilutable	No	03/13/2020
1677-233	Quaternary Ammonium	Multi-purpose Disinfectant Cleaner	Ecolab Inc	Human Coronavirus	1	Dilutable	No	03/13/2020
1677-241	Sodium Hypochlorite	Hydris	Ecolab Inc	Human Coronavirus	5	RTU	No	03/13/2020
1677-256	Quaternary Ammonium	FSC 35K	Ecolab Inc	Human Coronavirus	5	Dilutable	No	03/13/2020
1839-78	Quaternary Ammonium	NP 3.2 Detergent/ disinfectant	Stepan Company	Human Coronavirus	10	Dilutable	No	03/13/2020
1839-79	Quaternary Ammonium	NP 4.5 Detergent/ disinfectant	Stepan Company	Human Coronavirus	10	Dilutable	No	03/13/2020
1839-81	Quaternary Ammonium	NP 9.0 Detergent/ disinfectant	Stepan Company	Human Coronavirus	10	Dilutable	No	03/13/2020
1839-86	Quaternary Ammonium	BTC 2125 M 10% Solution	Stepan Company	Human Coronavirus	10	Dilutable	No	03/13/2020
1839-94	Quaternary Ammonium	NP 3.2 (D & F) Detergent/ disinfectant	Stepan Company	Human Coronavirus	10	Dilutable	No	03/13/2020
1839-95	Quaternary Ammonium	NP 4.5 (D & F) Detergent/ disinfectant	Stepan Company	Human Coronavirus	10	Dilutable	No	03/13/2020
1839-96	Quaternary Ammonium	NP 9.0 (D & F) Detergent/ disinfectant	Stepan Company	Human Coronavirus	10	Dilutable	No	03/13/2020
1839-155	Quaternary Ammonium	BTC 2125M 20% Solution	Stepan Company	Human Coronavirus	10	Dilutable	No	03/13/2020

EPA Registration Number	Active Ingredient/s	Product Name	Company	Follow the disinfection directions and preparation for the following virus	Contact Time (in minutes)	Formulation Type	Emerging Viral Pathogen Claim?	Date Added to List N
1839-166	Quaternary Ammonium	BTC 885 NDC-128	Stepan Company	Human Coronavirus	10	Dilutable	No	03/13/2020
1839-167	Quaternary Ammonium	BTC 885 Neutral Disinfectant Cleaner-256	Stepan Company	Human Coronavirus	10	Dilutable	No	03/13/2020
1839-168	Quaternary Ammonium	BTC 885 NDC-32	Stepan Company	Human Coronavirus	10	Dilutable	No	03/13/2020
1839-176	Quaternary Ammonium	Liquid-pak Neutral Disinfectant Cleaner	Stepan Company	Human Coronavirus	10	Dilutable	No	03/13/2020
1839-190	Quaternary Ammonium	Stepan Disinfectant Wipe	Stepan Company	Human Coronavirus	10	Wipe	No	03/13/2020
1839-211	Quaternary Ammonium	SC-AHD-64	Stepan Company	Human Coronavirus	5	Dilutable	No	03/13/2020
1839-212	Quaternary Ammonium	SC-AHD-256	Stepan Company	Human Coronavirus	5	Dilutable	No	03/13/2020
1839-213	Quaternary Ammonium	SC-AHD-128	Stepan Company	Human Coronavirus	5	Dilutable	No	03/13/2020
1839-214	Quaternary Ammonium	SC-NDC-256	Stepan Company	Human Coronavirus	5	Dilutable	No	03/13/2020
1839-215	Quaternary Ammonium	SC-NDC-128	Stepan Company	Human Coronavirus	5	Dilutable	No	03/13/2020
1839-225	Quaternary Ammonium	SC-RTU-TB	Stepan Company	Human Coronavirus	5	RTU	No	03/13/2020
1839-233	Quaternary Ammonium	SC-5:64N	Stepan Company	Human Coronavirus	5	Dilutable	No	03/13/2020
1839-235	Quaternary Ammonium	SC-5:256N	Stepan Company	Human Coronavirus	5	Dilutable	No	03/13/2020
1839-236	Quaternary Ammonium	SC-5:128N	Stepan Company	Human Coronavirus	5	Dilutable	No	03/13/2020
1839-244	Quaternary Ammonium	SC -5:64HN	Stepan Company	Human Coronavirus	5	Dilutable	No	03/13/2020
1839-245	Quaternary Ammonium	SC-5:256HN	Stepan Company	Human Coronavirus	5	Dilutable	No	03/13/2020
1839-246	Quaternary Ammonium	SC-5:128HN	Stepan Company	Human Coronavirus	5	Dilutable	No	03/13/2020
3862-191	Quaternary Ammonium	Assure	ABC Compounding Co Inc	Human Coronavirus	10	Dilutable	No	03/13/2020
4091-20	Quaternary Ammonium	Phoenix 2	W.M. Barr & Comapny Inc	Human Coronavirus	1	RTU	No	03/13/2020
4091-23	Sodium Hypochlorite; Sodium Carbonate	Mold Armor Formula 400	W.M. Barr & Comapny Inc	Human Coronavirus	0.5	RTU	No	03/13/2020
4822-548	Triethylene Glycol; Quaternary Ammonium	Combo	S.C. Johnson & Son Inc	Human Coronavirus	5	Pressurized liquid	No	03/13/2020

EPA Registration Number	Active Ingredient/s	Product Name	Company	Follow the disinfection directions and preparation for the following virus	Contact Time (in minutes)	Formulation Type	Emerging Viral Pathogen Claim?	Date Added to List N
4822-606	L-Lactic Acid	Fangio	S.C. Johnson & Son Inc	Human Coronavirus	10	RTU	No	03/13/2020
4822-607	Quaternary Ammonium	Lauda	S.C. Johnson & Son Inc	Human Coronavirus	5	RTU	No	03/13/2020
4822-608	L-Lactic Acid	Gurney	S.C. Johnson & Son Inc	Human Coronavirus	5	RTU	No	03/13/2020
4822-609	Quaternary Ammonium	Stewart	S.C. Johnson & Son Inc	Human Coronavirus	3	RTU	No	03/13/2020
4822-613	Quaternary Ammonium	Gertrude	S.C. Johnson & Son Inc	Human Coronavirus	5	RTU	No	03/13/2020
5813-50	Sodium Hypochlorite	Ultra Clorox Brand Regular Bleach	The Clorox Company	Human Coronavirus	5	Dilutable	No	03/13/2020
5813-73	Quaternary Ammonium	Clorox Everest	The Clorox Company	Human Coronavirus	0.5	RTU	No	03/13/2020
5813-86	Glycolic Acid	CBW	The Clorox Company	Human Coronavirus	10	Impregnated materials	No	03/13/2020
5813-93	Glycolic Acid	Show	The Clorox Company	Human Coronavirus	10	Impregnated materials	No	03/13/2020
5813-98	Sodium Hypochlorite	Lite	The Clorox Company	Human Coronavirus	1	RTU	No	03/13/2020
5813-99	Sodium Hypochlorite	Wave	The Clorox Company	Human Coronavirus	1	WIPE	No	03/13/2020
5813-103	Sodium Hypochlorite	Cgb3	The Clorox Company	Human Coronavirus	5	Dilutable	No	03/13/2020
5813-104	Sodium Hypochlorite	Cgb4	The Clorox Company	Human Coronavirus	5	Dilutable	No	03/13/2020
5813-106	Sodium Hypochlorite	Axl	The Clorox Company	Human Coronavirus	1	RTU	No	03/13/2020
6198-4	Quaternary Ammonium	Q. A. Concentrated Solution	National Chemicals Inc	Human Coronavirus	10	Dilutable	No	03/13/2020
6836-233	Quaternary Ammonium	BARDAC 205M-50	Lonza LLC	Human Coronavirus	1	Dilutable	No	03/13/2020
6836-336	Quaternary Ammonium	Lonza Disinfectant Wipes Plus	Lonza LLC	Human Coronavirus	4	Wipe	No	03/13/2020

EPA Registration Number	Active Ingredient/s	Product Name	Company	Follow the disinfection directions and preparation for the following virus	Contact Time (in minutes)	Formulation Type	Emerging Viral Pathogen Claim?	Date Added to List N
6836-372	Quaternary Ammonium	Nugen 2m Disinfectant Wipes	Lonza LLC	Human Coronavirus	2	Wipe	No	03/13/2020
6836-381	Quaternary Ammonium	Lonzagard R-82G	Lonza LLC	Human Coronavirus	1	Dilutable	No	03/13/2020
6836-382	Quaternary Ammonium	Nugen Low Streak Disinfectant Wipes	Lonza LLC	Human Coronavirus	4	Wipe	No	03/13/2020
8383-3	Phenolic	Sporicidin (Brand) Disinfectant Solution (Spray)	Contec Inc	Human Coronavirus	5	RTU	No	03/13/2020
8383-7	Phenolic	Sporicidin (Brand) Disinfectant Towelettes	Contec Inc	Human Coronavirus	5	Wipe	No	03/13/2020
8383-12	Hydrogen Peroxide; Peroxyacetic Acid	Peridox	Contec Inc	Human Coronavirus	2	Dilutable	No	03/13/2020
8383-13	Hydrogen Peroxide; Peroxyacetic Acid	Peridox RTU™	Contec Inc	Human Coronavirus	2	RTU	No	03/13/2020
8383-14	Hydrogen Peroxide; Peroxyacetic Acid	Peridoxrtu (Brand) One-step Germicidal Wipes	Contec Inc	Human Coronavirus	0.5	Wipe	No	03/13/2020
9402-14	Hydrogen Peroxide; Ammonium Carbonate; Ammonium Bicarbonate	Hitman Spray	Kimberly-Clark Global Sales LLC	Human Coronavirus	5	RTU	No	03/13/2020
9402-15	Hydrogen Peroxide; Ammonium Carbonate; Ammonium Bicarbonate	Victor Spray	Kimberly-Clark Global Sales LLC	Human Coronavirus	5	Pressurized liquid	No	03/13/2020
9402-17	Hydrogen Peroxide; Ammonium Carbonate; Ammonium Bicarbonate	Hitman Wipe	Kimberly-Clark Global Sales LLC	Human Coronavirus	6	Wipe	No	03/13/2020
9480-5	Quaternary Ammonium	Sani-cloth Germicidal Disposable Cloth	Professional Disposables International Inc	Human Coronavirus	3	Wipe	No	03/13/2020
10324-57	Quaternary Ammonium	Maquat 42	Mason Chemical Company	Human Coronavirus	10	Dilutable	No	03/13/2020
10324-58	Quaternary Ammonium	Maquat 128	Mason Chemical Company	Human Coronavirus	10	Dilutable	No	03/13/2020

EPA Registration Number	Active Ingredient/s	Product Name	Company	Follow the disinfection directions and preparation for the following virus	Contact Time (in minutes)	Formulation Type	Emerging Viral Pathogen Claim?	Date Added to List N
10324-59	Hydrogen Peroxide	Maquat 64	Mason Chemical Company	Human Coronavirus	10	Dilutable	No	03/19/2020
777-128	Quaternary Ammonium	Lysol® Laundry Sanitizer	Reckitt Benckiser	Human Coronavirus	5	Dilutable (laundry pre-soak only)	No	03/19/2020